

JET

JBM-5

BENCH TOP MORTISER

Original:

GB
Operating Instructions

Translations:

D
Gebrauchsanleitung

F
Mode d'emploi



JPW (Tool) AG
Tämperlistrasse 5
CH-8117 Fällanden
Switzerland
Phone +41 44 806 47 48
Fax +41 44 806 47 58
www.jettools.com



CE-Conformity Declaration
CE-Konformitätserklärung
Déclaration de Conformité CE

Product / Produkt / Produit:
Mortiser / Stemmmaschine / Mortaiseuse

JBM-5

Brand / Marke / Marque:
JET

Manufacturer / Hersteller / Fabricant:
JPW (Tool) AG, Tämperlistrasse 5, CH-8117 Fällanden
Schweiz / Suisse / Switzerland

We hereby declare that this product complies with the regulations
Wir erklären hiermit, dass dieses Produkt der folgenden Richtlinie entspricht
Par la présente, nous déclarons que ce produit correspond aux directives suivantes

2006/42/EC

Machinery Directive
Maschinenrichtlinie
Directive Machines

2014/30/EU

electromagnetic compatibility
elektromagnetische Verträglichkeit
compatibilité électromagnétique

designed in consideration of the standards
und entsprechend folgender zusätzlicher Normen entwickelt wurde
et été développé dans le respect des normes complémentaires suivantes

EN ISO 12100:2010

EN 60204-1:2006+A1:2010

EN 61000-6-2 : 2005

EN 61000-6-4 : 2007+A1:2011

Responsible for the Documentation / Dokumentations-Verantwortung / Responsabilité de Documentation:
Head Product-Mgmt. / Leiter Produkt-Mgmt. / Resp. Gestion des Produits
JPW (Tool) AG



2018-03-01 Jan Dätwyler, General Manager
JPW (Tool) AG, Tämperlistrasse 5, CH-8117 Fällanden
Schweiz / Suisse / Switzerland

GB - ENGLISH

Operating Instructions

Dear Customer,

Many thanks for the confidence you have shown in us with the purchase of your new JET-machine. This manual has been prepared for the owner and operators of a JET JBM-5 mortiser to promote safety during installation, operation and maintenance procedures. Please read and understand the information contained in these operating instructions and the accompanying documents. To obtain maximum life and efficiency from your machine, and to use the machine safely, read this manual thoroughly and follow instructions carefully.

...Table of Contents

1. Declaration of conformity

2. JET Warranty

3. Safety

Authorized use

General safety notes

Remaining hazards

4. Machine specifications

Technical data

Noise emission

Contents of delivery

5. Transport and start up

Transport and installation

Assembly

Mains connection

Dust collection

Starting operation

6. Machine operation

7. Setup and adjustments

Installing chisel and bit

180° Head rotation

Sharpening chisel and bit

8. Maintenance and inspection

9. Trouble shooting

10. Available accessories

1. Declaration of conformity

On our own responsibility we hereby declare that this product complies with the regulations* listed on page 2. Designed in consideration with the standards**.

2. JET Group Warranty

The JET Group makes every effort to assure that its products meet high quality and durability standards and warrants to the original retail consumer/purchaser of our products that each product be free from defects in materials and workmanship as follows:

2 YEAR LIMITED WARRANTY ON ALL PRODUCTS UNLESS SPECIFIED OTHERWISE.

This Warranty does not apply to defects due to directly or indirectly misuse, abuse, negligence or accidents, normal wear-and-tear, repair or alterations outside our facilities, or to a lack of maintenance.

The Jet group limits all implied warranties to the period specified above, from the date the product was purchased at retail.

To take advantage of this warranty, the product or part must be returned for examination, postage prepaid, to an authorized repair station designated by our office.

Proof of purchase date and an explanation of the complaint must accompany the merchandise.

If our inspection discloses a defect, we will either repair or replace the product, or refund the purchase price if we cannot readily and quickly provide a repair or replacement, if you are willing to accept a refund.

We will return repaired product or replacement at JET'S expense, but if it is determined there is no defect, or that the defect resulted from causes not within the scope of JET'S warranty, then the user must bear the cost of storing and returning the product.

The JET Group reserves the right to make alterations to parts, fittings, and accessory equipment which they may deem necessary for any reason whatsoever.

3. Safety

3.1 Authorized use

This mortiser is designed for mortising wood and similar materials only. Machining of other materials is not permitted and may be carried out in specific cases only after consulting with the manufacturer.

The workpiece must allow to safely be loaded and clamped for machining.

The proper use also includes compliance with the operating and maintenance instructions given in this manual.

The machine must be operated only by persons familiar with its operation and maintenance and who are familiar with its hazards.

The required minimum age must be observed.

The machine must only be used in a technically perfect condition.

When working on the machine, all safety mechanisms and covers must be mounted.

In addition to the safety requirements contained in these operating instructions and your country's applicable regulations, you should observe the generally recognized technical rules concerning the operation of woodworking machines.

Any other use exceeds authorization. In the event of unauthorized use of the machine, the manufacturer renounces all liability and the responsibility is transferred exclusively to the operator.

3.2 General safety notes

Woodworking machines can be dangerous if not used properly. Therefore the appropriate general technical rules as well as the following notes must be observed.



Read and understand the entire instruction manual before attempting assembly or operation.



Keep this operating instruction close by the machine, protected from dirt and humidity, and pass it over to the new owner if you part with the tool.

No changes to the machine may be made.

Daily inspect the function and existence of the safety appliances before you start the machine. Do not attempt operation in this case, protect the machine by unplugging the power cord.

Before operating the machine, remove tie, rings, watches, other jewellery, and roll up sleeves above the elbows. Remove all loose clothing and confine long hair.

Wear safety shoes; never wear leisure shoes or sandals.

Always wear the approved working outfit:

- safety goggles
- ear protection
- dust protection



Do not wear gloves while operating this machine.



Install the machine so that there is sufficient space for safe operation and workpiece handling.

Keep work area well lighted.

The machine is designed to operate in closed rooms and must be bolted stable on firm and levelled table surface or on the supplied cabinet stand.

Make sure that the power cord does not impede work and cause people to trip.

Keep the floor around the machine clean and free of scrap material, oil and grease.

Stay alert!
Give your work undivided attention.

Use common sense. Do not operate the machine when you are tired.

Keep an ergonomic body position. Maintain a balanced stance at all times.

Do not operate the machine under the influence of drugs, alcohol or any medication. Be aware that medication can change your behaviour.



Never reach into the machine while it is operating or running down.



Keep children and visitors a safe distance from the work area.

Never leave a running machine unattended. Before you leave the workplace switch off the machine.

Do not operate the electric tool near inflammable liquids or gases. Observe the fire fighting and fire alert options, for example the fire extinguisher operation and place.

Do not use the machine in a damp environment and do not expose it to rain.

Before machining, remove any nails and other foreign bodies from the workpiece.

Work only with well sharpened tools.

Machine only stock which rests securely on the table.

Always close the chuck cover before you start the machine.

Specifications regarding the maximum or minimum size of the workpiece must be observed.

Do not remove chips and workpiece parts until the machine is at a standstill.

Do not stand on the machine.

Connection and repair work on the electrical installation may be carried out by a qualified electrician only.



Have a damaged or worn power cord replaced immediately.

Make all machine adjustments or maintenance with the machine unplugged from the power source.



3.3 Remaining hazards

When using the machine according to regulations some remaining hazards may still exist.

The rotating drill bit can cause injury.

Thrown workpieces and workpiece parts can lead to injury.

Dust and noise can be health hazards. Be sure to wear personal protection gear such as safety goggles and dust mask. Use a suitable dust collection system.

The use of incorrect mains supply or a damaged power cord can lead to injuries caused by electricity.

4. Machine specifications

4.1 Technical data

Motor speed	1450 rpm
Drill chuck capacity	10mm
Chisel capacity	12,7 x 12,7mm
Chisel shank capacity	5/8", 3/4", 13/16"
Head stroke	120mm
Fence size	40 x 320mm
Chisel centre to fence max	90mm
Under holddown capacity	100mm
Maximum vertical distance table to chisel bushing	208mm
Net weight	20 kg
Mains	230V ~1/N/PE 50Hz
Output power	0,37 kW (0,5HP) S1
Reference current	3 A
Extension cord (H07RN-F):	3x1,5 ²
Installation fuse protection	10A

4.2 Noise emission

Acoustic pressure level (EN 11202):

Idling	67,4 dB (A)
In operation	75,5 dB (A)

The specified values are emission levels and are not necessarily to be seen as safe operating levels.

As workplace conditions vary, this information is intended to allow the user to make a better estimation of the hazards and risks involved only.

4.3 Content of delivery

10mm drill chuck
Chuck key
Spindle extension
5/8" (15,87mm) chisel bushing
3/4" (19,05mm) chisel bushing
13/16" (20,64mm) chisel bushing
Fence assembly
Work hold down
MDF table
Handle
Gas spring
Operating manual
Spare parts list.

5. Transport and start up

5.1 Transport and installation

The machine is designed to operate in closed rooms and must be bolted stable on a firm and levelled table surface.

5.2 Assembly

If you notice transport damage while unpacking, notify your supplier immediately. Do not operate the machine!

Dispose of the packing in an environmentally friendly manner.

Clean all rust protected surfaces with a mild solvent.

Screw the handle (A, Fig 1) into the pinion shaft (B, Fig 1) and tighten (C, Fig 1).

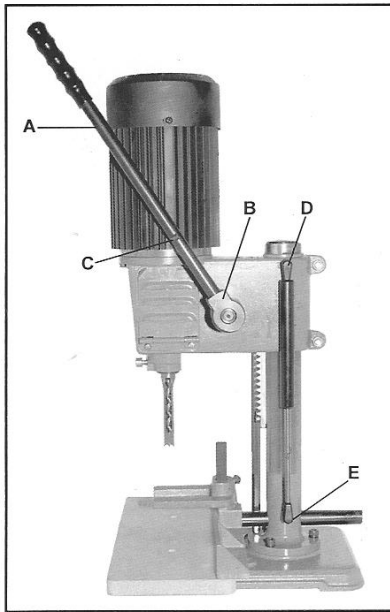


Fig 1

Use the handle to raise the machine head to the up position. The handle is spring loaded and can be repositioned by pulling the handle away from the head, and turned to the desired angle.

Press the gas spring onto the two fittings (D and E, Fig 1).

Attach the MDF table to the base using two screws (A, Fig 2).

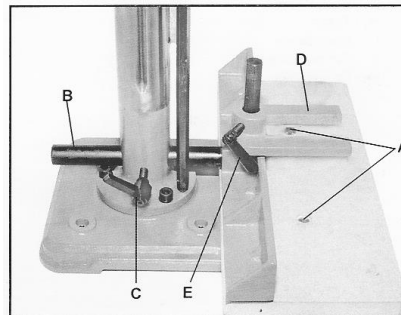


Fig 2

Insert bar of fence assembly (B, Fig 2) through the hole in the column. Use the indexable knob (C, Fig 2) to adjust the fence assembly.

Attach the hold down (D, Fig 2) to the vertical post using locking handle (E, Fig 2).

5.3 Mains connection

Mains connection and any extension cords used must comply with applicable regulations. The mains voltage must comply with the information on the machine licence plate.

The mains connection must have a 10 A surge-proof fuse.

Only use power cords marked H07RN-F

Connections and repairs to the electrical equipment may only be carried out by qualified electricians.

5.4 Dust collection

Use a suitable dust collection and filtration system to avoid a high dust concentration in the air.

Dust the machine down after each use and as necessary.

5.5 Starting operation

You can start the machine with the green on button. The red button on the main switch stops the machine.

6. Machine operation

Set the depth stop rod (B, Fig 3) to the required depth of cut.

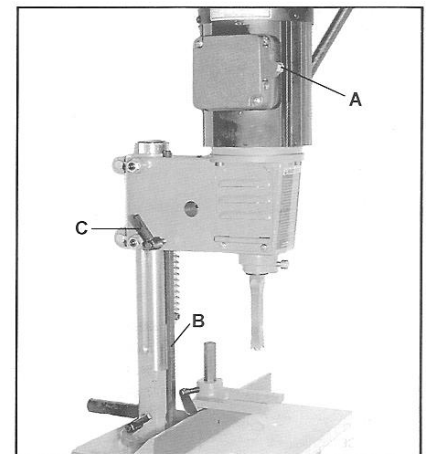


Fig 3

Adjust the fence.

Adjust the hold down so it touches the top of the workpiece and allows it to slide left or right.

Turn on the machine and feed chisel and bit steadily into the workpiece by pulling down the operating handle.

NOTE:

The rate of feed must be fast enough to prevent burning at the tip of the drill bit, but not so fast as to cause the machine to stall. The different rates of feed for different woods must be learned by experience.

After the first cut, the workpiece is moved. The direction of movement must allow the chips to clear freely (Fig 4).

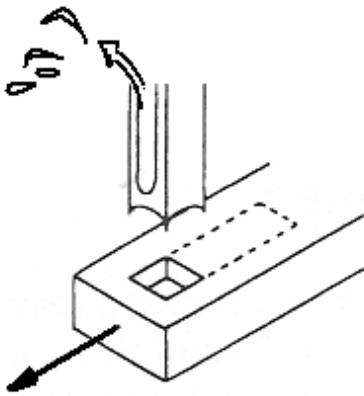


Fig 4

When cutting deep mortises, make the cut in several stages of approx. 25mm each, to allow chips to clear.

To prevent breakout at the back of the workpiece when cutting through mortises, use a piece of scrap material under the workpiece as support.

Warning:

Make sure the machine is attached to a firm and stable support surface, to prevent it from tipping during operation. Four holes in the base are supplied for this purpose.

Always keep your hands well clear of the rotating bit.

Always close the chuck cover before you start the machine.

Support long workpieces with helping roller stands.

7. Setup and adjustments

General note:

Setup and adjustment work may only be carried out after the machine is protected against accidental starting by pulling the mains plug.

7.1 Installing chisel and bit

Disconnect the machine from the power source (unplug).

Open the chuck access doors on both sides of the head.

Insert the chisel bushing (3, Fig 5) with the hole facing forward into the head.

Insert chisel and bit together.

Tighten the screw (2, Fig 5) just enough to hold the chisel (4, Fig 5) in place.

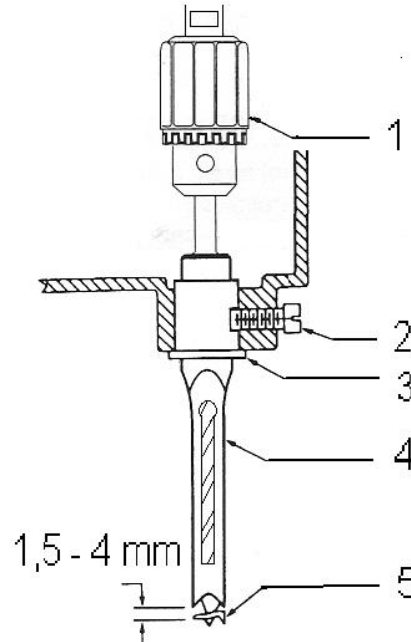


Fig 5

NOTE:

The slot in the chisel should face to the right or left side only. The opening will allow chips to escape during operation.

Push the chisel up as far as possible into the head. Then lower the chisel 1,5 to 4mm, depending on the type of wood being worked. Tighten the screw to hold the chisel in place.

Push the bit up through the chisel opening as far as it will go. Lock the drill bit in place with the chuck key.

Loosen the screw and push the chisel up against the bushing and tighten the screw. This should provide the proper distance between the points of the chisel and the bit.

NOTE: The chisel should be adjusted parallel. Use the workpiece as a gauge (Fig 6).

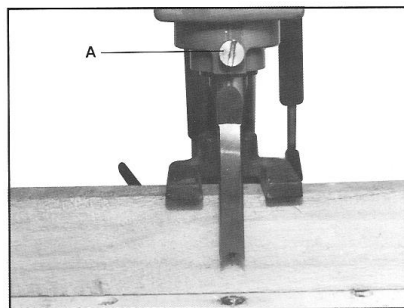


Fig 6

Close the chuck access doors before starting the machine.

Using bits with shorter shanks:

It will be necessary to attach the spindle extension. Place a 10mm open spanner on the motor spindle and use the chuck key to unscrew the chuck. Attach the spindle extension to the chuck and reinstall.

7.2 180° Head rotation

Remove the three hex socket cap screws at the base and rotate head and column 180°.

Doing this will enable you to outboard mortise taller items.

7.3 Sharpening chisel and bit

The chisel and bit should be kept sharp for best performance.

Sharpen the bit by using a small file, following the original shape of the bit.

File the inside edge of the spur (A, Fig 7), the sides of the centre point (B, Fig 7) and the cutting edge inwards toward the flute of the bit (C, Fig 7)

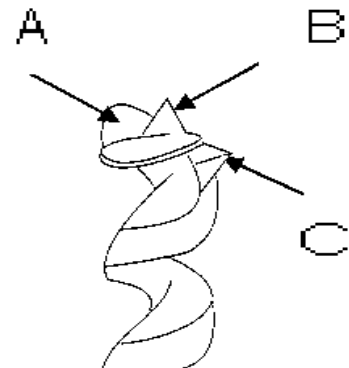


Fig 7

Do not file the outside edges of the spur as this will affect the diameter of the bit.

Sharpen the chisel on the cutting edge inside only.

8. Maintenance and inspection

General notes:

Maintenance, cleaning and repair work may only be carried out after the machine is protected against accidental starting by pulling the mains plug.

The mortise requires only minor maintenance, such as lubrication, routine adjustments and sharpening of chisel and bit.

Clean the machine regularly.

Defective safety devices must be replaced immediately.

Repair and maintenance work on the electrical system may only be carried out by a qualified electrician.

9. Trouble shooting

Motor doesn't start

*No electricity-
check mains and fuse.

*Defective switch, motor or cord-
consult an electrician.

Chisel clogged with chips

*Clearance chisel to bit not enough-
set bit 1,5 to 4mm below chisel.

*chips cannot clear the chisel-
observe chisel slot and working order.

Burned Wood

*Feed too slow-
increase feedrate.

*Worn chisel or bit-
sharpen chisel and bit.

10. Available accessories

Stock number 708579

50mm riser block

Stock number 6285526

6,35 mm chisel and bit

Stock number 6285527

8 mm chisel and bit

Stock number 6285528

9,5 mm chisel and bit

Stock number 6285529

12,7 mm chisel and bit

DE - DEUTSCH

Gebrauchsanleitung

Sehr geehrter Kunde,

vielen Dank für das Vertrauen, welches Sie uns beim Kauf Ihrer neuen JET-Maschine entgegengebracht haben. Diese Anleitung ist für den Inhaber und die Bediener zum Zweck einer sicheren Inbetriebnahme, Bedienung und Wartung der Stemm-Maschine JBM-5 erstellt worden. Beachten Sie bitte die Informationen dieser Gebrauchsanleitung und der beiliegenden Dokumente. Lesen Sie diese Anleitung vollständig, insbesondere die Sicherheitshinweise, bevor Sie die Maschine zusammenbauen, in Betrieb nehmen oder warten. Um eine maximale Lebensdauer und Leistungsfähigkeit Ihrer Maschine zu erreichen befolgen Sie bitte sorgfältig die Anweisungen.

Inhaltsverzeichnis

1. Konformitätserklärung

2. JET Garantieleistungen

3. Sicherheit

Bestimmungsgemäße Verwendung
Allgemeine Sicherheitshinweise
Restrisiken

4. Maschinenspezifikation

Technische Daten
Schallemission
Lieferumfang

5. Transport und Inbetriebnahme

Transport und Aufstellung
Montage
Elektrischer Anschluss
Absaug-Anschluss
Inbetriebnahme

6. Betrieb der Maschine

7. Rüst- und Einstellarbeiten

Stemmmeißel Montage
Kopfdrehung um 180°
Meißel Nachschärfung

8. Wartung und Inspektion

9. Störungsabhilfe

10. Lieferbares Zubehör

1. Konformitätserklärung

Wir erklären in alleiniger Verantwortlichkeit, dass dieses Produkt mit den auf Seite 2 angegebenen Richtlinien* übereinstimmt. Bei der Konstruktion wurden folgende Normen** berücksichtigt.

2. JET Garantieleistungen

Die JET-Gruppe ist bemüht dass seine Produkte die hohen Kundenerwartungen an Qualität und Haltbarkeit erfüllen.

JET garantiert an den Erstbesitzer dass jedes Produkt frei von Material- und Verarbeitungsdefekten ist wie folgt:

2 JÄHRIGE JET-GARANTIE AUF ALLE PRODUKTE SOWEIT NICHT ANDERS ANGEGEBEN.
Diese Garantie trifft nicht auf jene Defekte zu, welche auf direkten oder indirekten Missbrauch, Unachtsamkeit, Unfallschaden, unsachgemäße Reparatur, mangelhafte Wartung sowie normalen Verschleiß zurückzuführen sind.
Die JET-Garantie beginnt mit dem Verkaufsdatum an den Erstkunden.

Um die verlängerte JET-Garantie in Anspruch zu nehmen, muss das fehlerhafte Produkt oder Teil zu einem autorisierten JET-Händler zur Überprüfung zurückgebracht werden. Ein Beweismittel des Erwerbsdatums und eine Erklärung der Beanstandung muss der Waren beigefügt werden.

Falls unsere Kontrolle einen Defekt feststellt reparieren wir diesen oder ersetzen das Produkt. Sollten wir nicht in angemessener Zeit eine Reparatur oder einen Ersatz zur Verfügung stellen können, erstatten wir den Kaufpreis zurück.

JET retourniert das reparierte Produkt oder dessen Ersatz kostenlos. Sollte jedoch festgestellt werden, dass es sich um keinen Defekt handelt oder dass dessen Ursachen nicht innerhalb der JET-Garantie liegen, muss der Kunde die Kosten der Lagerung und des Retourversands selbst tragen.

JET reserviert sich das Recht Änderungen an Teilen und Zubehör vorzunehmen falls dies für nötig erachtet wird.

3. Sicherheit

3.1 Bestimmungsgemäße Verwendung

Diese Stemm-Maschine ist ausschließlich zum Stemmen von Holz und Holzersatzstoffen geeignet. Die Bearbeitung anderer Werkstoffe ist nicht zulässig bzw. darf in Sonderfällen nur nach Rücksprache mit dem Maschinenhersteller erfolgen.

Es dürfen nur Werkstücke bearbeitet werden welche sicher aufgelegt und gespannt werden können.

Die bestimmungsgemäße Verwendung beinhaltet auch die Einhaltung der vom Hersteller angegebenen Betriebs- und Wartungsanweisungen.

Die Maschine darf ausschließlich von Personen bedient werden, die mit Betrieb und Wartung vertraut und über die Gefahren unterrichtet sind.

Das gesetzliche Mindestalter ist einzuhalten.

Neben den in der Gebrauchsanleitung enthaltenen Sicherheitshinweisen und den besonderen Vorschriften Ihres Landes sind die für den Betrieb von Holzbearbeitungsmaschinen allgemein anerkannten fachtechnischen Regeln zu beachten.

Jeder darüber hinaus gehende Gebrauch gilt als nicht bestimmungsgemäß und für daraus resultierende Schäden haftet der Hersteller nicht. Das Risiko trägt allein der Benutzer.

3.2 Allgemeine Sicherheitshinweise

Holzbearbeitungsmaschinen können bei unsachgemäßem Gebrauch gefährlich sein. Deshalb ist zum sicheren Betreiben die Beachtung der zutreffenden Unfallverhütungs-Vorschriften und der nachfolgenden Hinweise erforderlich.



Lesen und verstehen Sie die komplette Gebrauchsanleitung bevor Sie mit Montage oder Betrieb der Maschine beginnen.



Bewahren Sie die Bedienungsanleitung, geschützt vor Schmutz und Feuchtigkeit, bei der Maschine auf, und geben Sie sie an einen neuen Eigentümer weiter.

An der Maschine dürfen keine Veränderungen, An- und Umbauten vorgenommen werden.

Überprüfen Sie täglich vor dem Einschalten der Maschine die einwandfreie Funktion und das Vorhandensein der erforderlichen Schutzeinrichtungen.

Festgestellte Mängel an der Maschine oder den Sicherheitseinrichtungen sind zu melden und von den beauftragten Personen zu beheben. Nehmen Sie die Maschine in solchen Fällen nicht in Betrieb, sichern Sie die Maschine gegen Einschalten durch Ziehen des Netzsteckers.

Zum Schutz von langem Kopfhaar Mütze oder Haarnetz aufsetzen. Enganliegende Kleidung tragen, Schmuck, Ringe und Armbanduhren ablegen.

Tragen Sie Schutzschuhe, keinesfalls Freizeitschuhe oder Sandalen.

Verwenden Sie die durch Vorschriften geforderte persönliche Schutzausrüstung.

- Augenschutz
- Ohrenschutz
- Staubschutz



Beim Arbeiten an der Maschine keine Handschuhe tragen.



Die Maschine so aufstellen, dass genügend Platz zum Bedienen und zum Führen der Werkstücke gegeben ist.

Sorgen Sie für gute Beleuchtung.

Achten Sie darauf, dass die Maschine standsicher auf fester und ebener Tischfläche oder auf dem Originalunterschrank festgeschraubt ist.

Beachten Sie dass die elektrische Zuleitung nicht den Arbeitsablauf behindert und nicht zur Stolperstelle wird.

Den Arbeitsplatz frei von behindernden Werkstücken, etc. halten.

Niemals in die laufende Maschine greifen.

Seien Sie aufmerksam und konzentriert. Gehen Sie mit Vernunft an die Arbeit.

Achten Sie auf ergonomische Körperhaltung. Sorgen Sie für sicheren Stand und halten Sie jederzeit das Gleichgewicht.

Arbeiten Sie niemals unter dem Einfluss von Rauschmitteln wie Alkohol und Drogen an der Maschine. Beachten Sie, dass auch Medikamente Einfluss auf Ihr Verhalten nehmen können.



Niemals in die laufende Maschine greifen.



Halten Sie Unbeteiligte, insbesondere Kinder vom Gefahrenbereich fern.

Die laufende Maschine nie unbeaufsichtigt lassen. Vor dem Verlassen des Arbeitsplatzes die Maschine ausschalten.

Benützen Sie die Maschine nicht in der Nähe von brennbaren Flüssigkeiten oder Gasen. Beachten Sie die Brandmelde- und Brandbekämpfungsmöglichkeiten z.B. Standort und Bedienung von Feuerlöschern.

Benützen Sie die Maschine nicht in feuchter Umgebung und setzen Sie sie nicht dem Regen aus.

Vor der Bearbeitung Nägel und andere Fremdkörper aus dem Werkstück entfernen.

Nur mit gut geschärften Werkzeugen arbeiten.

Bearbeiten Sie nur ein Werkstück, das sicher auf dem Tisch aufliegt.

Arbeiten Sie nie bei geöffneten Bohrfutterdeckeln.

Angaben über die min. und max. Werkstückabmessungen müssen eingehalten werden.

Späne und Werkstückteile nur bei stehender Maschine entfernen.

Nicht auf der Maschine stehen.

Arbeiten an der elektrischen Ausrüstung der Maschine dürfen nur durch eine Elektrofachkraft vorgenommen werden.



Tauschen Sie ein beschädigtes Netzkabel sofort aus.

Umrüst-, Einstell- und Reinigungsarbeiten nur im Maschinenstillstand und bei gezogenem Netzstecker vornehmen.



3.3 Restrisiken

Auch bei vorschriftsmäßiger Benutzung der Maschine bestehen die nachfolgend aufgeführten Restrisiken.

Verletzungsgefahr durch den rotierenden Bohrer.

Gefährdung durch wegfliegende Werkstücke und Werkstückteile.

Gefährdung durch Lärm und Staub.
Unbedingt persönliche Schutzausrüstungen wie Augen-, Gehör- und Staubschutz tragen.
Eine geeignete Absauganlage einsetzen!

Gefährdung durch Strom, bei nicht ordnungsgemäßer Verkabelung.

4. Maschinenspezifikation

4.1 Technische Daten

Motor Drehzahl	1450 U/min
Bohrfutter Kapazität	10mm
Stemmmeißel max.	12,7 x 12,7mm
Schaftaufnahmen	5/8", 3/4", 13/16"
Bohrhub	120mm
Anschlaggröße	40 x 320mm
Ausladung vom Anschlag max.	90mm
Niederhalter Kapazität	100mm
Maximaler vertikaler Abstand Tisch bis Adapterhülse	208mm
Maschinengewicht	20 kg
Netzanschluss	230V ~1/N/PE 50Hz
Abgabeleistung	0,37 kW (0,5PS) S1
Betriebsstrom	3A
Anschlussleitung (H07RN-F)3x1,5mm ²	
Bauseitige Absicherung	10A

4.2 Schallemission

Schalldruckpegel (nach EN 11202):

Leerlauf	67,4 dB (A)
Bearbeitung	75,5 dB (A)

Die angegebenen Werte sind Emissionspegel und sind nicht notwendigerweise Pegel für sicheres Arbeiten.

Sie sollen dem Anwender eine Abschätzung der Gefährdung und des Risikos ermöglichen.

4.3 Lieferumfang

10mm Bohrfutter
Bohrfutterschlüssel
Spindelverlängerung
5/8" (15,87mm) Adapterhülse
3/4" (19,05mm) Adapterhülse
13/16" (20,64mm) Adapterhülse
Anschlag
Niederhalter
MDF Tisch
Handhebel
Gasdruckfeder
Gebrauchsanleitung
Ersatzteilliste

5. Transport und Inbetriebnahme

5.1. Transport und Aufstellung

Die Aufstellung der Maschine sollte in geschlossenen Räumen erfolgen, tischlerübliche Bedingungen in der Werkstatt sind dabei ausreichend.

Die Maschine muss kippstabil auf einer belastbaren Tischfläche festgeschraubt werden.

5.2 Montage

Wenn Sie beim Auspacken einen Transportschaden feststellen, benachrichtigen Sie umgehend Ihren Händler, nehmen Sie das Gerät nicht in Betrieb.

Entsorgen Sie die Verpackung bitte umweltgerecht.

Entfernen Sie das Rostschutzfett mit einem milden Lösungsmittel.

Schrauben Sie den Handhebel (A, Fig 1) mit einem Gabelschlüssel (C, Fig 1) im Kupplungsstück (B, Fig 1) fest.

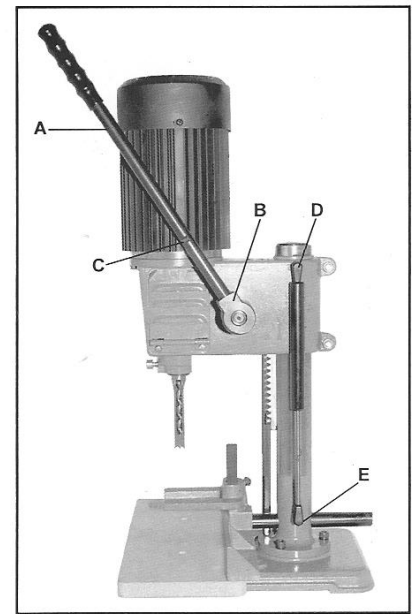


Fig 1

Bringen Sie den Kopf in die oberste Stellung.

Der Handhebel kann umgesetzt werden. Ziehen Sie dazu das Kupplungsstück vom Kopf weg und lassen Sie es in der gewünschten Winkelstellung wieder einrasten.

Drücken Sie die Gasdruckfeder auf die beiden Kugelbolzen (D and E, Fig 1).

Montieren Sie die MDF Tischplatte mit den beiden gelieferten Schrauben (A, Fig 2).

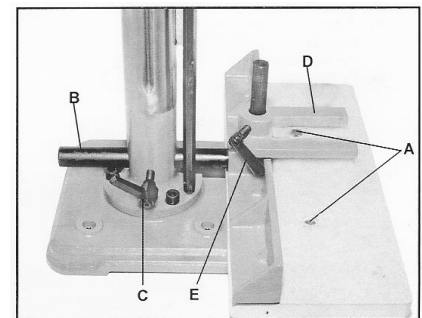


Fig 2

Stecken Sie die Führungssäule des Anschlags (B, Fig 2) in die Vertikalsäule und klemmen Sie mit dem Indexiergriff (C, Fig 2).

Befestigen Sie den Niederhalter (D, Fig 2) mit der Klemmschraube (E, Fig 2).

5.3 Elektrischer Anschluss

Der kundenseitige Netzanschluss sowie die verwendeten Verlängerungsleitungen müssen den Vorschriften entsprechen. Die Netzspannung und Frequenz müssen mit den Leistungsschilddaten an der Maschine übereinstimmen.

Die bauliche Absicherung muss dabei 10A betragen.

Verwenden Sie nur Anschlussleitungen mit Kennzeichnung H07RN-F

Anschlüsse und Reparaturen der elektrischen Ausrüstung dürfen nur von einem Elektrofachkraft durchgeführt werden.

5.4 Absaug-Anschluss

Vermeiden Sie eine hohe Luftstaubkonzentration. Setzen Sie ein geeignetes Absaug- bzw. Filtersystem ein.

Die Maschine nach jedem Gebrauch und je nach Bedarf absaugen.

5.5 Inbetriebnahme

Mit dem grünen Eintaster am Hauptschalter kann die Maschine gestartet werden: Mit dem roten Aus-Taster kann die Maschine stillgesetzt werden.

6. Betrieb der Maschine

Stellen Sie den Tiefenanschlag (B, Fig 3) auf die gewünschte Bohrtiefe.

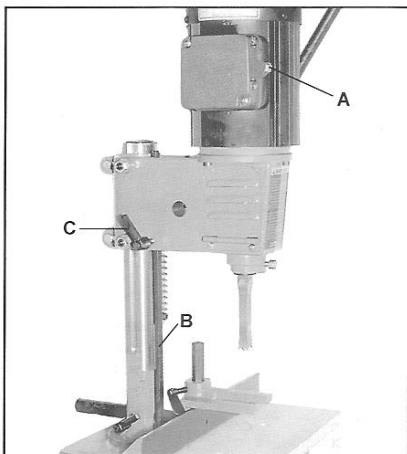


Fig 3

Positionieren Sie den Anschlag.

Senken Sie den Niederhalter auf das Werkstück ab, so dass sich dieses noch seitlich bewegen lässt.

Starten Sie die Maschine.

Ziehen sie am Handhebel und stemmen Sie zügig in das Werkstück.

HINWEIS:

Der Bohrvorschub muss schnell genug erfolgen um ein Verbrennen der Oberfläche zu vermeiden, jedoch darf auch der Motor nicht gestoppt werden. Die richtige Vorschubgeschwindigkeit je Holzart bedarf der Erfahrung.

Nach dem ersten Stemmvorgang wird das Werkstück seitlich versetzt. Wählen Sie die Arbeitsrichtung so dass die Späneabfuhr nicht behindert wird (Fig 4).

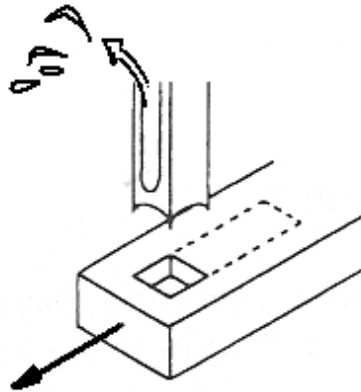


Fig 4

Tiefe Bohrlöcher werden stufenweise jeweils ca. 25mm tiefer ausgeführt. Dadurch bleibt die Späneabfuhr gewährleistet.

Für Durchgangslöcher unterlegen Sie das Werkstück mit einem Stück Abfallholz um ein Ausbrechen der Unterkanten zu vermeiden.

Achtung:

Befestigen Sie die Maschine auf einer belastungsfähigen Unterlage, um ein Kippen während der Arbeit zu verhindern. Im Maschinensockel befinden sich dazu vier Montagebohrungen.

Halten Sie immer ausreichend Abstand zum rotierenden Bohrer.

Arbeiten Sie nie bei geöffneten Bohrfutterdeckeln.

Lange Werkstücke durch Rollenböcke abstützen.

7. Rüst- und Einstellarbeiten

Allgemeine Hinweise

Vor Rüst- und Einstellarbeiten muss die Maschine gegen Inbetriebnahme gesichert werden.

Netzstecker ziehen!

7.1 Stemmeißel Montage

Die Stromzufuhr durch Ziehen des Netzsteckers trennen.

Die Bohrfutterdeckel beidseits des Kopfes öffnen.

Montieren Sie die Adapterhülse (3, Fig5), die Bohrung zeigt dabei nach vorne.

Bohr- und Stemmeißel gemeinsam einführen.

Klemmen Sie mit der Schraube (2, Fig 5) den Stemmeißel (4, Fig 5) leicht fest.

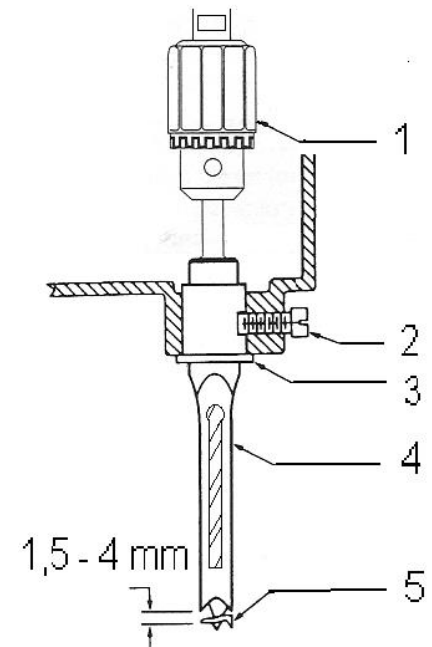


Fig 5

HINWEIS:

Der Schlitz des Stemmeißels sollte nur nach links oder rechts zeigen. Dadurch wird bei der Bearbeitung die Späneabfuhr nicht beeinträchtigt.

Schieben Sie den Stemmeißel ganz nach oben und senken Sie ihn dann, abhängig von der Werkstück-Holzart, 1,5 – 4mm ab. Klemmen Sie den Stemmeißel mit der Schraube fest.

Schieben Sie den Bohrer ganz nach oben und spannen Sie ihn im Bohrfutter fest.

Lösen Sie die Schraube, schieben Sie den Stemmeißel nach oben und klemmen Sie ihn fest.

Dadurch ergibt sich der gewünschte Abstand zwischen Bohrerschneide und Stemmeißel.

HINWEIS: Der Stemmeißel sollte parallel ausgerichtet sein. Verwenden Sie dazu das Werkstück als Lehre (Fig 6).

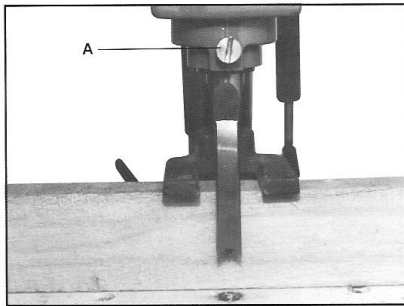


Fig 6

Beide Bohrfutterdeckel wieder schließen.

Für Kurzschaft Stemmeißel:

Für Stemmeißel mit kurzem Schaft benötigen Sie die gelieferte Spindelverlängerung. Halten Sie die Motorspindel mit einem 10mm Gabelschlüssel fest und verwenden Sie den Futterschlüssel zum Lösen des Bohrfutters. Montieren Sie die Spindelverlängerung auf das Bohrfutter bevor Sie dieses wieder einsetzen.

7.2 Kopfdrehung um 180°

Entfernen Sie die drei Innensechskantschrauben vom Sockel und setzen Sie die Vertikalsäule um 180° gedreht wieder auf. Dadurch wird die fliegende Bearbeitung größerer Werkstücke möglich.

7.3 Meißel Nachschärfung

Scharfe Bohrer und Stemmeißel sind eine Voraussetzung für gute Arbeitsergebnisse.

Schärfen Sie die Bohrerschneiden mit einer kleinen Feile und folgen Sie dabei der Originalform des Bohrers.

Feilen Sie an der Innenseite des Vorschneiders (A, Fig 7), an den Seitenflächen der Zentrierspitze (B, Fig 7) und an der Spanfläche der Hauptschneide (C, Fig 7)

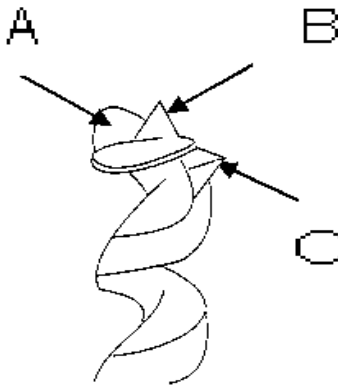


Fig 7

Feilen Sie nicht an der Außenseite des Vorschneiders da sich dadurch der Bohrdurchmesser verändert.

Schärfen Sie den Stemmeißel nur an der Schneideninnenkante.

8. Wartung und Inspektion

Allgemeine Hinweise

Vor Wartungs- Reinigungs- und Reparaturarbeiten muss die Maschine gegen Inbetriebnahme gesichert werden. Netzstecker ziehen!

Der Wartungsumfang der Stemmaschine beschränkt sich auf Schmierung, Routineeinstellungen und Stemmeißel Nachschärfung.

Reinigen Sie die Maschine in regelmäßigen Zeitabständen.

Beschädigte Sicherheitseinrichtungen sofort ersetzen.

Anschlüsse und Reparaturen der elektrischen Ausrüstung dürfen nur von einer Elektrofachkraft durchgeführt werden.

9. Störungsabhilfe

Motor startet nicht

*Kein Strom-Netzsicherung prüfen.

*Motor, Schalter oder Kabel defekt-Elektrofachkraft kontaktieren.

Stemmeißel verstopft

*Abstand Bohrer zu Meißel zu gering-Bohrer 1,5 bis 4mm unter Meißel stellen.

*Späne können nicht entweichen-Meißelschlitz und Arbeitsfolge beachten.

Oberfläche verbrannt

*Vorschub zu langsam-schneller bohren.

*Bohr-/Stemmeißel stumpf-nachschärfen.

10. Lieferbares Zubehör

Artikel Nummer 708579

50 mm Säulenverlängerung

Artikel Nummer 6285526

Bohr-/Stemmeißel 6,35 mm

Artikel Nummer 6285527

Bohr-/Stemmeißel 8 mm

Artikel Nummer 6285528

Bohr-/Stemmeißel 9,5 mm

Artikel Nummer 6285529

Bohr-/Stemmeißel 12,7 mm

FR - FRANCAIS

Mode d'emploi

Cher client,

Nous vous remercions de votre confiance que vous nous portez avec l'achat de votre nouvelle machine JET. Ce manuel a été préparé pour l'opérateur de la mortaiseuse sur table JET JBM-5. Son but, mis à part le fonctionnement de la machine, est de contribuer à la sécurité par l'application des procédés corrects d'utilisation et de maintenance. Avant de mettre l'appareil en marche, lire les consignes de sécurité et de maintenance dans leur intégralité. Pour obtenir une longévité et fiabilité maximale de votre machine, et pour contribuer à l'usage sûr de la machine, veuillez lire attentivement ce mode d'emploi et suivre les instructions.

Table des Matières

1. Déclaration de conformité

2. Garantie JET

3. Sécurité

Utilisation conforme
Consignes de sécurité
Risques

4. Spécifications

Indications techniques
Emission de bruit
Contenu de la livraison

5. Transport et montage

Transport
Montage
Raccordement au réseau électr.
Racc. Collecteur de poussières
Mise en exploitation

6. Fonctionnement de la machine

7. Réglages

Montage mèche pour mortaiser
Rotation de la tête de 180°
Réaffûtage de l'outil

8. Entretien et inspection

9. Détecteur de pannes

10. Accessoires

1. Déclaration de conformité

Par le présent et sous notre responsabilité exclusive, nous déclarons que ce produit satisfait aux normes conformément aux lignes directrices indiquées page 2.

2. Garantie du groupe JET

Le groupe JET assure que ses produits répondent aux normes de haute qualité et de durabilité.

JET garantit au consommateur que chaque produit est sans aucun défaut de matériel et de fabrication:

2 ANS DE GARANTIE SUR TOUS LES PRODUITS, SAUF INDICATION CONTRAIRE.

La garantie ne couvre pas les dommages causés directement ou indirectement par un mauvais usage, emploi abusif, négligence ou accidents, usure normale, réparation ou modification effectuée en-dehors de nos services ou par manque de maintenance.

Le groupe JET limite la garantie à la période spécifiée ci-dessus, à partir de la date d'acquisition.

Pour profiter de la garantie le produit ou la pièce doit être retourné pour contrôle, port payé, auprès d'un centre de réparation qualifié et reconnu par nos services.

Joindre une preuve de la date d'acquisition ainsi qu'une note explicative de la réclamation.

Si notre contrôle révèle un défaut, le produit sera réparé ou remplacé par nos soins. Si nous ne sommes pas en mesure de réparer ou de remplacer la pièce défectueuse rapidement, le produit sera remboursé.

Les produits réparés ou remplacés seront retournés aux frais du groupe JET. S'il s'avère qu'il n'y a pas de défaut ou que le défaut provient de causes sortant de la garantie, l'utilisateur devra payer les frais de stockage et de retour du produit.

Le groupe JET se réserve le droit d'apporter toutes les modifications aux pièces, raccords et accessoires qui lui semblent nécessaires.

3. Sécurité

3.1 Utilisation conforme

Cette mortaiseuse convient au mortaisage du bois et des dérivés du bois. Le travail d'autres matériaux est interdit et ne peut être effectué que dans des cas spéciaux et après accord du fabricant de la machine.

La pièce doit pouvoir être posée et serrée sans problèmes.

L'utilisation conforme implique le strict respect des instructions de service et de maintenance indiquées dans ce manuel.

La machine doit être exclusivement utilisée par des personnes familiarisées avec le fonctionnement, la maintenance et la remise en état, et qui sont informées des dangers correspondants.

L'âge requis par la loi est à respecter.

Toutes les directives relatives à la prévention des accidents ainsi que les consignes de sécurité doivent être respectées scrupuleusement.

En cas d'utilisation non-conforme de la machine, le fabricant décline toute responsabilité qui est en tel cas rejetée exclusivement sur l'utilisateur.

3.2 Consignes de sécurité

L'utilisation non-conforme d'une mortaiseuse peut être très dangereux.



C'est pourquoi vous devez lire attentivement ce mode d'emploi avant de monter ou d'utiliser votre appareil.



Conserver à proximité de la machine tous les documents fournis avec l'outillage (dans une pochette en plastique, à l'abri de la poussière, de l'huile et de l'humidité) et veiller à joindre cette documentation si vous cédez l'appareil.

Ne pas effectuer de modification à la machine. Utiliser les accessoires recommandés, des accessoires incorrects peuvent être dangereux.

Contrôler chaque jour avant d'utiliser la machine les dispositifs de protection et le fonctionnement impeccable.

En cas de défauts à la machine ou aux dispositifs de protection avertir les personnes compétentes et ne pas utiliser la machine. Déconnecter la machine du réseau.

Avant de mettre la machine en marche, retirer cravate, bagues, montres ou autres bijoux et retrousser les manches jusqu'aux coudes. Enlever tout vêtement flottant et nouer les cheveux longs.

Porter des chaussures de sécurité, surtout pas de tenue de loisirs ou de sandales.

Porter un équipement de sécurité personnel pour travailler à la machine.

- des lunettes protectrices,
- une protection acoustique
- une masque anti poussières.



Ne pas porter de gants.



Placer la machine de sorte à laisser un espace suffisant pour la manoeuvre et le guidage des pièces à usiner.

Veiller à un éclairage suffisant.

Placer la machine sur un sol stable et plat.

S'assurer que le câble d'alimentation ne gêne pas le travail ni risque de faire trébucher l'opérateur.

Conserver le sol autour de la machine propre, sans déchets, huile ou graisse.

Ne jamais mettre la main dans la machine pendant le travail.

Prêter grande attention à votre travail et rester concentré.

Eviter toute position corporelle anormale.

Veiller à une position stable et garder un bon équilibre à tout moment.

Ne pas travailler sous l'influence de drogues, d'alcool ou de médicaments.



Ne jamais mettre la main dans la machine pendant le travail.



Eloigner de la machine toutes personnes incompetentes surtout les enfants.

Ne jamais laisser la machine en marche sans surveillance. Arrêter la machine avant de quitter la zone de travail.

Ne pas mettre la machine à proximité de liquides ou de gaz inflammables.

Préserver la machine de l'humidité et ne jamais la mettre sous la pluie.

Retirer les clous et autres corps étrangers de la pièce avant de débiter l'usinage.

Travailler seulement avec des outils bien aiguisés.

Seulement usiner une pièce, qui se laisse bien poser sur la table.

Ne jamais travailler avec les couvercles des mandrins de perceuse ouverts.

Se tenir aux spécifications concernant la dimension maximale ou minimale de la pièce à usiner.

Ne pas enlever les copeaux et les pièces usinées avant que la machine ne soit à l'arrêt.

Ne pas se mettre sur la machine.

Tous travaux de branchement et de réparation sur l'installation électrique doivent être exécutés uniquement par un électricien qualifié.



Remplacer immédiatement tout câble endommagé ou usé.

Faire tous les travaux de réglage ou de maintenance seulement après avoir débranché la machine du réseau.



3.3 Risques

Même en respectant les directives et les consignes de sécurité existe les risques suivants.

Risque de blessures par le perceur en rotation.

Danger de pièces éjectées.

Risque de santé par poussières de bois, copeaux et bruit.

Porter équipement de sécurité personnel tel que lunettes, cache-visage pour travailler à la machine. Utiliser un collecteur de poussières!

Danger par câble électrique endommagé, usé ou mal branché.

4. Spécifications JBM-5

4.1 Indications techniques

Vitesse de rotation	1450 T/min
Capacité du mandrin denté	10mm
Mèche pour mortaiser	max. 12,7mm
Porte-mèche	5/8", 3/4", 13/16"
Perçage	120mm
Dimension du guide	40 x 320mm
Saillie de butée	max 90mm
Capacité serre-flan	100mm
Distance max. verticale entre table et adaptateur	208mm
Poids net	20 kg
Voltage	230V ~1/N/PE 50Hz
Puissance	0,37 kW (0,5 CV) S1
Courant électrique	3A
Raccordement	(H07RN-F) 3x1,5mm ²
Fusible du secteur élect.	10A

4.2 Emission de bruit

Niveau de pression sonore (selon EN 11202):

Marche à vide	67,4 dB (A)
Usinage	75,5 dB (A)

Les indications données sont des niveaux de bruit et ne sont pas forcément les niveaux pour un travail sûr.

Ainsi l'utilisateur peut estimer les dangers et les risques possibles.

4.3 Contenu de la livraison

Mandrin 10mm
Clé de mandrin
Rallonge d'arbre
Adaptateur mandrin 5/8" (15,87mm)
Adaptateur mandrin 3/4" (19,05mm)
Adaptateur mandrin 13/16" (20,64mm)
Guide
Mainteneur des pièces à usiner
Dessus de table en bois (MDF)
Lever
Cylindre de compensation de pression
Mode d'emploi
Liste pièces de rechange

5. Transport et mise en exploitation

5.1. Transport

Effectuer le montage de la machine dans un local fermé ou un atelier respectant les conditions de menuiserie.

Visser la machine sur une surface de table en assurant la stabilité au déversement.

5.2 Montage

Avertir JET immédiatement si vous constatez des pièces endommagées par le transport et ne monter pas la machine.

Enlever la protection antirouille avec un dissolvant.

Visser le levier (A, Fig 1) avec une clé à fourche (C, Fig 1) dans la pièce d'accouplement (B, Fig 1).

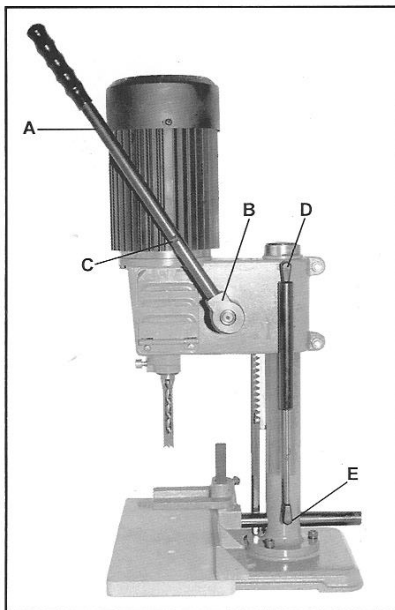


Fig 1

Mener la tête en position plus élevée. Le levier peut être déplacé. Pour cela retirer la pièce d'accouplement de la tête et la rebloquer en position souhaitée.

Presser le cylindre de compensation de pression sur les deux boulons à rotule (D et E, Fig 1).

Monter le dessus de table en bois avec les deux vis livrées (A, Fig 2).

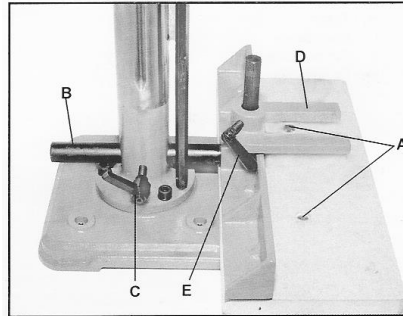


Fig 2

Positionner la barre de guidage (B, Fig 2) dans la barre verticale et bloquer avec la manche d'index (C, Fig 2).

Fixer le mainteneur (D, Fig 2) avec le vis d'arrêt (E, Fig 2).

5.3 Raccordement au réseau électr.

Le raccordement ainsi que les rallonges utilisées doivent correspondre aux instructions. Le voltage et la fréquence doivent être conforme aux données inscrites sur la machine.

Le fusible de secteur électrique doit avoir 10A.

Utiliser pour le raccordement des câbles H07RN-F.

Tous travaux de branchement et de réparation sur l'installation électrique doivent être exécutés uniquement par un électricien qualifié.

5.4 Racc. collecteur de poussières

Utiliser un collecteur de poussières afin d'éviter une production de poussières trop élevée.

Aspirer la machine après chaque utilisation ou quand nécessaire.

5.5 Mise en exploitation

Mettre la machine en route avec le bouton vert. Arrêter la machine avec le bouton rouge.

6. Fonctionnement de la machine

Ajuster le guide de mèche (B, Fig 3) à la profondeur de perçage souhaitée.

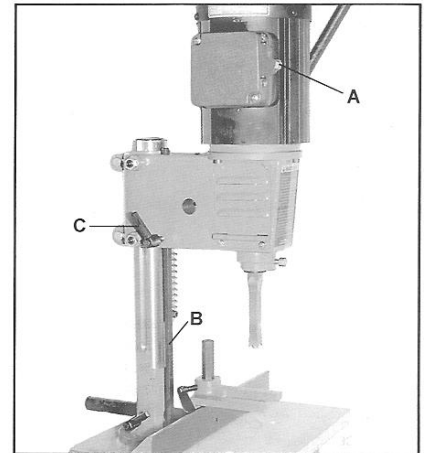


Fig 3

Positionner le guide.

Faire descendre le mainteneur sur la pièce à usiner, de manière à ce que la pièce se laisse encore déplacer latéralement.

Mettre la machine en marche.

Tirer le levier et mortaiser sans interruption dans la pièce.

REMARQUE:

Effectuer le perçage rapidement pour éviter des brûlures sur la surface, mais ne pas stopper le moteur. La vitesse d'avance idéale pour chaque type de bois demande de l'expérience.

Après le premier procédé de mortaisage, déplacer la pièce latéralement.

Choisir la direction de travail de manière à ne pas gêner l'évacuation des copeaux (Fig 4).

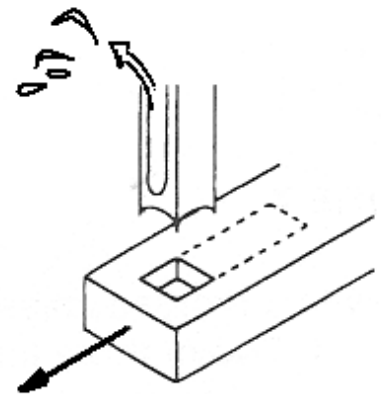


Fig 4

Effectuer les perçages profonds par étapes d'env. 25mm plus profond. Ainsi l'évacuation des copeaux est assurée.

Pour des perçages à travers placer un bout de bois en dessous de la pièce pour éviter des éclats à la face inférieure.

Attention:

Fixer la machine sur une surface qui peut supporter cette charge, pour éviter un basculement pendant le travail. Il y a quatre perçages pour ce montage dans le socle de machine.

Garder toujours une distance suffisante au perceur en rotation.

Ne jamais travailler avec les couvercles des mandrins de perceuse ouverts.

Poser des pièces longues sur des supports roulants.

7. Réglages

Attention

Faire tous les travaux de maintenance ou de réglage après avoir débranché la machine du réseau.

7.1 Montage mèche pour mortaiser

Déconnecter la machine du réseau.

Ouvrir les couvercles des mandrins des deux côtés de la tête.

Monter l'adaptateur mandrin (3, Fig 5), le creux vers le devant.

Insérer la mèche pour percer et mortaiser ensemble.

Bloquer légèrement avec la vis (2, Fig 5) la mèche pour mortaiser (4, Fig 5).

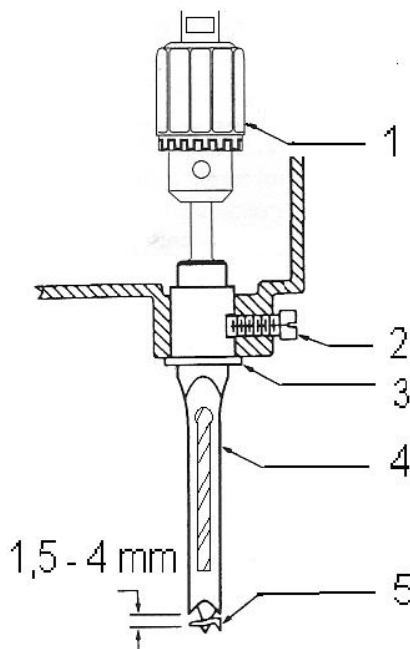


Fig 5

REMARQUE:

La fente de la mèche pour mortaiser doit seulement montrer vers la gauche ou la droite.

Ainsi l'évacuation des copeaux n'est pas atteinte pendant le travail.

Pousser la mèche pour mortaiser complètement en haut et ensuite faire descendre, dépendant du type de bois de la pièce, de 1,5 – 4mm. Bloquer la mèche pour mortaiser avec la vis.

Pousser le perceur en haut et fixer le dans le mandrin.

Desserrer la vis, pousser la mèche pour mortaiser en haut et bloquer la. Ainsi vous aurez la distance souhaitée entre le taillant et la mèche.

REMARQUE: La mèche pour mortaiser doit être située parallèle. Utiliser pour ceci la pièce comme aide directive (Fig 6).

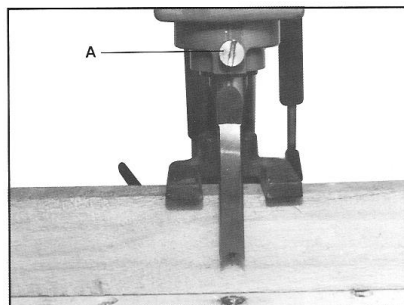


Fig 6

Refermer les deux couvercles des mandrins.

Pour mèche à queue courte:

Pour une mèche à queue courte vous aurez besoin de la rallonge d'arbre livrée.

Tenir l'arbre du moteur avec une clé à fourche 10mm et utiliser la clé de mandrin pour desserrer le mandrin. Fixer la rallonge d'arbre sur le mandrin avant de le réinstaller.

7.2 Rotation de la tête de 180°

Dévisser les trois vis à six pans creux du socle de machine et repositionner la barre verticale après l'avoir tournée de 180°.

Ceci permet le travail mobile de grandes pièces.

7.3 Réaffûtage de l'outil

Des mèches pour percer et mortaiser affûtées sont une condition pour un bon résultat de travail.

Affûter le taillant de l'outil avec une petite lime en suivant la forme originale de l'outil.

Limer à la face intérieure de l'ébaucheur (A, Fig 7), sur les côtés de la pointe de centrage (B, Fig 7) et à la face de coupe du tranchant principal (C, Fig 7).

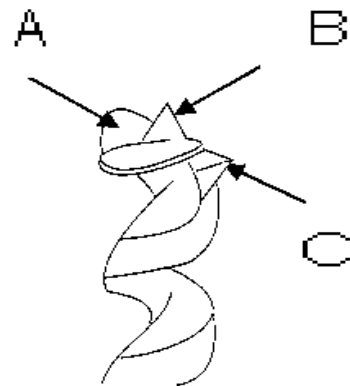


Fig 7

Ne pas limer à la face extérieure de l'ébaucheur car ceci pourrait modifier le diamètre de perçage.

Affûter la mèche pour mortaiser seulement à la face intérieure du taillant.

8. Entretien et inspection

Attention

Faire tous les travaux de maintenance, réglage ou nettoyage après avoir débranché la machine du réseau!

L'entretien de la mortaiseuse se limite au graissage, réglages de routine et réaffûtage des outils.

Nettoyer la machine régulièrement.

Remplacer immédiatement les dispositifs de protection endommagés ou usés.

Tous travaux de branchement et de réparation sur l'installation électrique doivent être exécutés uniquement par un électricien qualifié.

9. Détecteur de pannes

Moteur ne se met pas en route

*Pas de courant-
Vérifier le voltage.

*Défaut au moteur, bouton ou câble-
Contacter un électricien qualifié.

Mèche pour mortaiser bouchée

*Distance mèche pour percer à la mèche pour mortaiser insuffisante-
Placer la mèche pour percer 1,5 - 4mm en-dessous de la mèche pour mortaiser.

*Copeaux ne peuvent pas évacuer-
Tenir compte de l'encoche du mortaiseur et du déroulement du travail.

Brûlures à la surface des pièces

*Avance pas assez vite-
Augmenter la vitesse.

*Mèche pour percer/mortaiser usée-
Réaffûter.

10. Accessoires

Article 708579

Rallonge de colonne 50 mm

Article 6285526

Mèche pour percer/mortaiser 6,35 mm

Article 6285527

Mèche pour percer/mortaiser 8 mm

Article 6285528

Mèche pour percer/mortaiser 9,5 mm

Article 6285529

Mèche pour percer/mortaiser 12,7 mm

